

www.hazalguvenlik.net



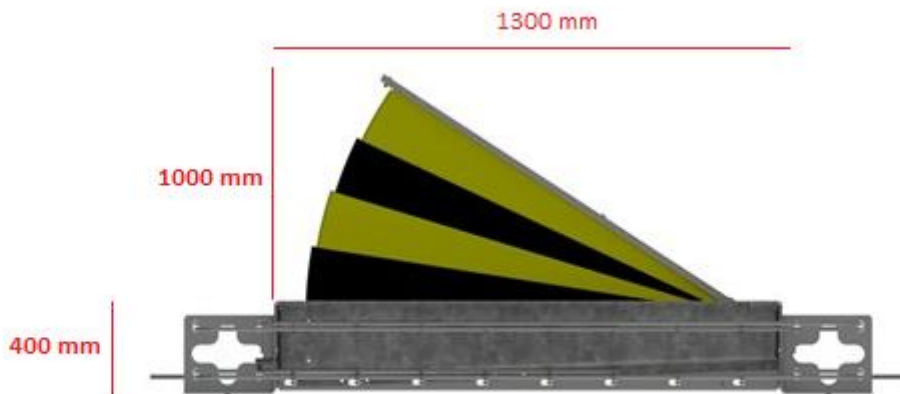
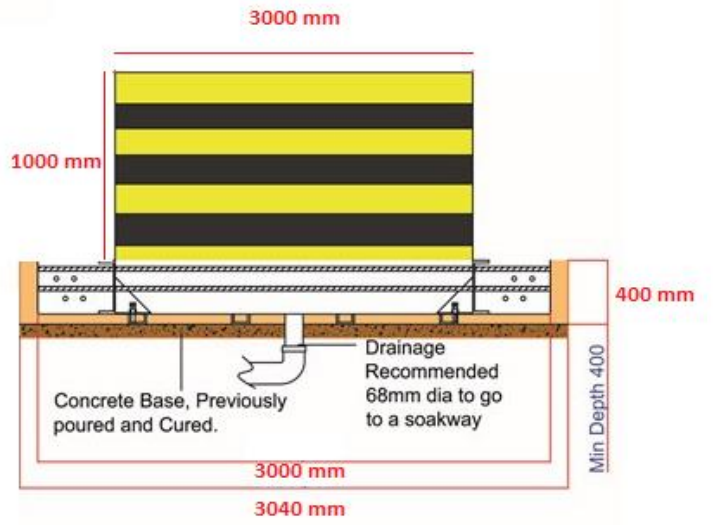
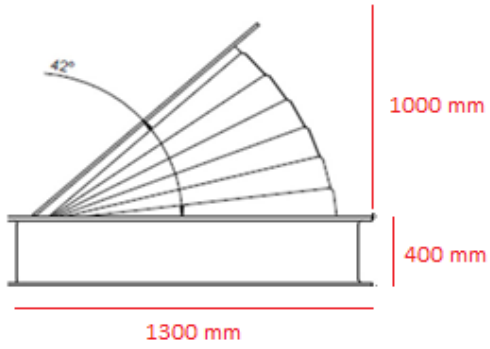
TELESCOPIC ROADBLOCKERS (K12)

www.hazalguvenlik.net

TELESCOPIC ROAD BLOCKERS (underground mounted)



Height when raised	1000 mm
Depth & Width	400 mm / 1300 mm
Length	3000 mm
Weight (approximately)	2200 kg
Axle load	22 tons
Top plate	Plain, painted to yellow with black stripes
Type of steel	S235/RAEX250-Quality 37 minimum
Red/green LED traffic light	Available, 100 mm diameter, steel post 2 mt height (optional)
Hinges	reinforced steel
Power	220 V, 3 Phase, 50-60 Hz
Power failure	Manual hand pump
Raise lower time	3-6 seconds - in emergency 1.5 seconds (optional)
Desktop keyboard	Raise, lower, emergency stop, key operated, 'keyboard in use' light indicator
Controller Type	PLC Electronic Control Unit
Loop detector	This detector is used for safety
Power Back-up system	(Hydraulic accumulator, DC motor and batteries, UPS (optional)
Cabinet	IP 65 with continuous ventilation
Motor Power	Min 3 KW, 1500 rpm
Environmental conditions	-20 °C and +75 °C



www.hazalguvenlik.net



Doğuş Mah Ballıbbaba Sok No : 67/3 K.Esat / Çankaya / ANKARA

Tlf : + 90 312 478 2028 – + 90 312 482 0484

www.hazalguvenlik.net - info@hazalguvenlik.net

www.hazalguvenlik.net